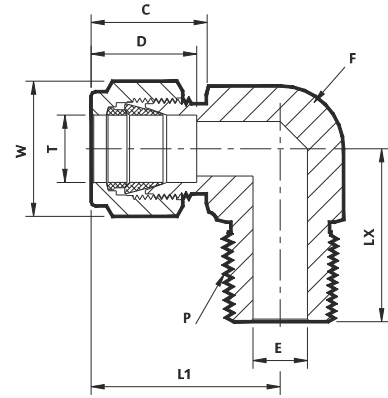


2.4 Male Elbow

03. Fractional Tube x ISO Tapered (M)



Sr. No.	TUBE OD Ø T	ISO Male Pipe Size P	Ref. Part No.	ØE	D	C	L1	LX	Body Hex F	Nut Hex W
Dimensions in Inches										
1	1/4 x 1/4		4MED 4IT	0.19	0.60	0.70	1.06	0.92	9/16	9/16
2	1/4 x 3/8		4MED 6IT	0.19			1.17	1.03	11/16	
3	1/4 x 1/2		4MED 8IT	0.19			1.25	1.30	7/8	
4	3/8 x 1/4		6MED 4IT	0.28	0.66	0.76	1.20	1.00	5/8	11/16
5	3/8 x 3/8		6MED 6IT	0.28			1.23	1.03	11/16	
6	1/2 x 3/8		8MED 6IT	0.41	0.90	0.86	1.35	1.25	3/4	7/8
7	1/2 x 1/2		8MED 8IT	0.41			1.41	1.31	7/8	

04. Metric Tube x ISO Tapered (M)

Sr. No.	TUBE OD Ø T	ISO Male Pipe Size P	Ref. Part No.	ØE	D	C	L1	LX	Body Hex F	Nut Hex W
Dimensions in Millimetres										
	(mm)	(In)								
1	6 x 1/4		6MMED 4IT	4.8	15.3	17.7	27.0	23.4	15	14.2
2	6 x 3/8		6MMED 6IT	4.8			29.8	26.2	17.5	
3	6 x 1/2		6MMED 8IT	4.8			31.8	33.0	22.5	
4	8 x 1/4		8MMED 4IT	6.4	16.2	18.6	28.8	24.4	15	16
5	8 x 3/8		8MMED 6IT	6.4			30.6	26.2	17.5	
6	8 x 1/2		8MMED 8IT	6.4			32.6	33.0	22.5	
7	10 x 1/4		10MMED 4IT	7.1	17.2	19.5	31.5	26.2	20.5	19
8	10 x 3/8		10MMED 6IT	7.9			31.5	26.2	20.5	
9	10 x 1/2		10MMED 8IT	7.9			33.5	33.0	22.5	
10	12 x 1/4		12MMED 4IT	7.1	22.8	22.0	36.0	28.2	20.5	22.2
11	12 x 3/8		12MMED 6IT	9.5			36.0	28.2	20.5	
12	12 x 1/2		12MMED 8IT	9.5			36.0	33.0	22.5	
13	12 x 3/4		12MMED 12IT	9.5			39.8	36.8	27.5	
14	16 x 3/8		16MMED 6IT	9.5	24.4	22.0	38.0	30.2	27.5	25.4
15	16 x 1/2		16MMED 8IT	11.9			38.0	35.1	27.5	
16	18 x 1/2		18MMED 8IT	11.9	24.4	22.0	39.8	36.8	27.5	30
17	18 x 3/4		18MMED 12IT	15.1			39.8	36.8	27.5	
18	20 x 1/2		20MMED 8IT	11.9	26.0	22.0	44.6	41.7	32	32
19	20 x 3/4		20MMED 12IT	15.9			44.6	41.7	32	
20	22 x 3/4		22MMED 12IT	15.9	26.0	22.0	44.6	41.7	32	32
21	22 x 1		22MMED 16IT	18.3			44.6	46.5	36	
22	25 x 3/4		25MMED 12IT	15.9	31.3	26.5	49.1	41.7	36	38
23	25 x 1		25MMED 16IT	21.8			49.1	46.5	36	

- NOTE : ① The E Dimension is the minimum opening & Fittings of this group may be back drilling to lager ID at pipe thread or straight thread end
 ② Dimension LX, C, D is shown in the finger-tight position.
 ③ ISO Tapered (BSPT) thread as er BS 21.

All part numbers are proprietary of their respective owners, Dimensions are for reference only and are subject to change